

EP

Electronic device for protection of the pump



MADE IN ITALY

 **PEDROLLO**[®]
the spring of life

PRODUCT DESCRIPTION

The **EP** electronic device protects the pump by automatically stopping it in cases of dry running, overcurrent, voltage too high / voltage too low.

TECHNICAL DATA

Single-phase supply voltage	110/230 Vac
Acceptable voltage variations	± 10%
Frequency	50-60 Hz
Maximum current for pump motor	10 A
Operating temperature	min 5 °C max 45 °C
Maximum ambient temperature	55 °C

COMPANY WITH
QUALITY SYSTEM
CERTIFIED BY DNV GL
= ISO 9001 =



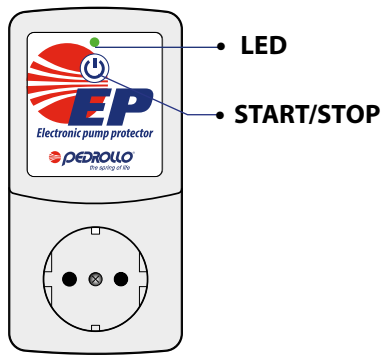


Fig. 1

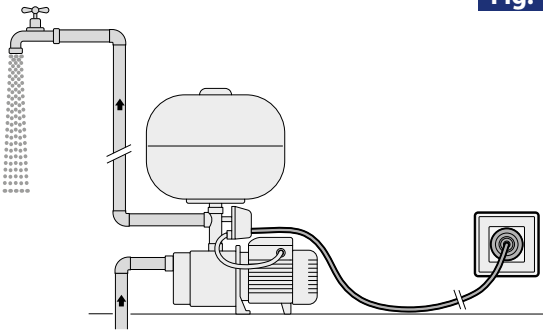


Fig. 2

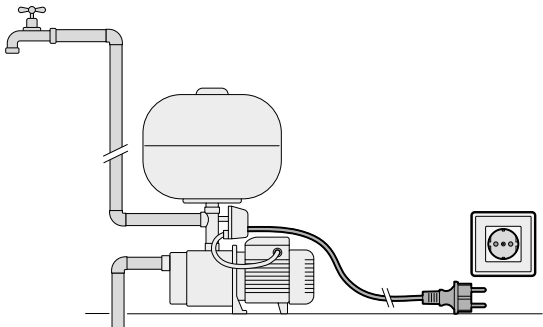


Fig. 3

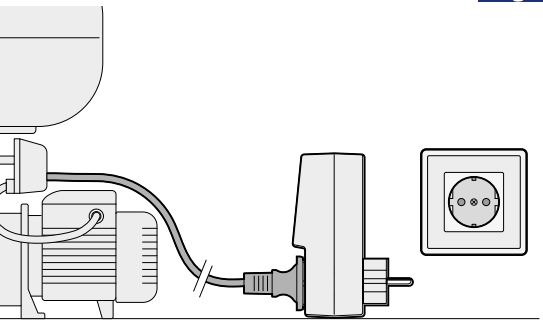
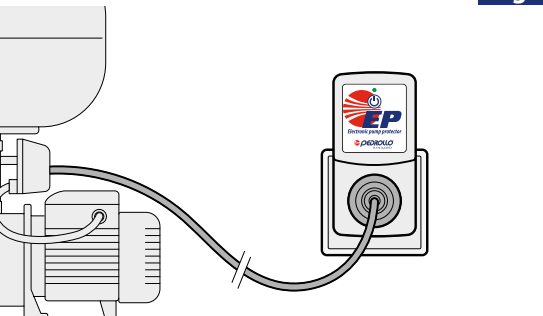










Fig. 4



CONTROL PANEL

- Key  with function of **START/STOP**, self-learning and alarm reset.
- Multicoloured **LED** light.
Flashes and changes colour depending on the status of the device EP.

Description LED light	Meaning of the LED light
 Light off	Device switched off
 Fixed GREEN warning light	Device switched on
 Fixed BLUE warning light	Device operating correctly
 Flashing RED warning light	Dry running
 Fixed RED warning light	Overcurrent
 Fixed YELLOW warning light	Voltage/Voltage too low
 Continuous change in warning light colour	Self-learning phase (WIZARD)

INSTALLATION AND OPERATION

Once the correct operation of the water system has been verified, proceed as follows:

- Run the pump with the delivery point open (**Fig.1**).
- Disconnect the plug of the power cable of the pump from the power outlet leaving the delivery point open and fully discharge the system (**Fig. 2**).
- Insert the plug of the pump power cord into the EP device (**Fig.3**).
- Insert the EP into the power socket (**Fig. 4**) and start the self-learning procedure (see instruction manual).

After checking the self-learning procedure you can use the installation.